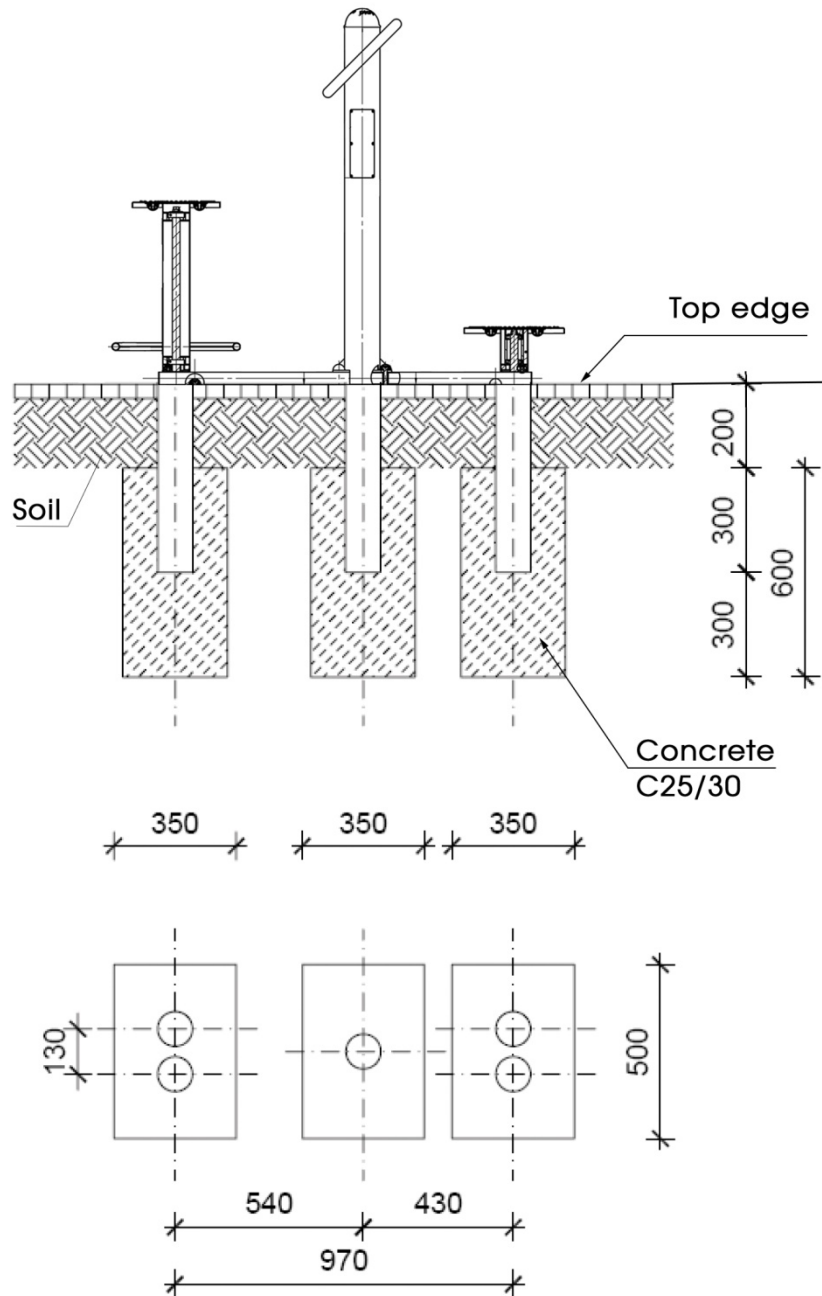


| | | |
|--|---|-----------------------------------|
| <p>playfit® outdoor-fitness</p> | <p>3D Diagram including Anchorage 3D Darstellung mit Fundamentverankerung</p> <p>JS-0234D</p> <p>Twister Rückentrainer</p> | <p>Date/Stand: 08.08.2015</p> |
|--|---|-----------------------------------|



| | | |
|--|--|----------------------|
| <p>Erstellt von playfit® RZ</p> | <p>Prüfung und Freigabe: Datum, Name</p> | <p>Version: 1/DE</p> |
|--|--|----------------------|



3 pcs Foundation (L x W x H): 350 mm x 500 mm x 600 mm

All dimensions indicated are in millimetres (mm)

Diagram is not according to scale (components shown for illustrative purposes only)

The upper edges of the foundation anchorage of the playfit® device, to which the upper part of the unit is screwed, must be level with the surface top edge after completion of all work.

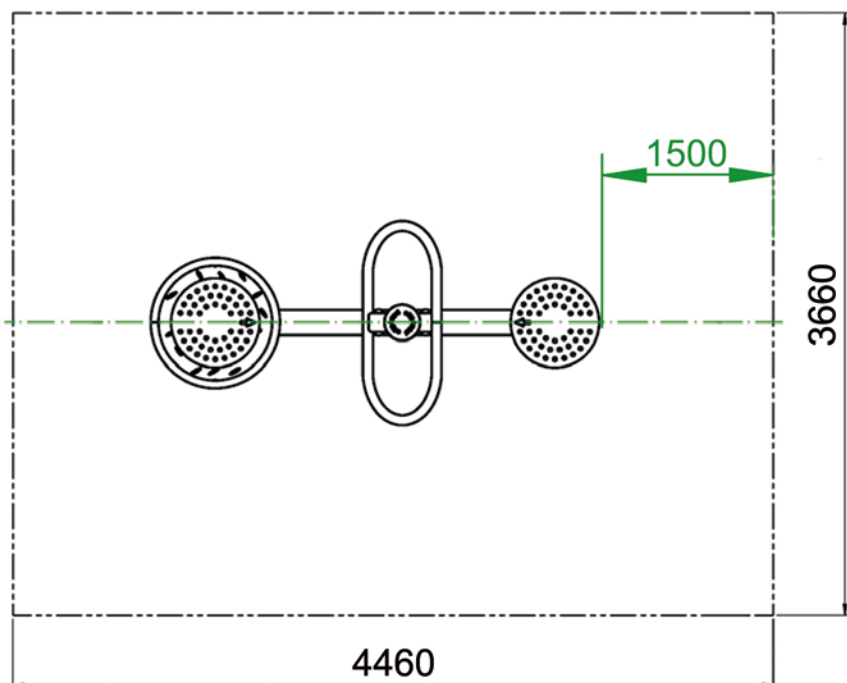
| | | |
|--|--|-----------------------------------|
| <p>playfit® outdoor-fitness</p> | <p>Foundation Plan Fundamentplan</p> <p>JS-0234D</p> <p>Twister Rückentrainer</p> | <p>Date/Stand: 08.08.2015</p> |
|--|--|-----------------------------------|

Foundations

- This playfit® piece of equipment must be assembled as a whole unit according to the device-specific assembly instructions
- The assembled playfit® piece of equipment must be installed/set in concrete as described in the playfit® Operating Guidelines in Chapter 7 "Assembly Instructions" and in the "Device-Specific Foundation Plans and Technical Data Sheets"
- Specifications of foundations such as dimensions and depth of equipment in foundation: please refer to device-specific Foundation Plan
- The construction of the foundations conforms to EU norms for concrete surfaces EN 206 (additionally in Germany: according to DIN 1045 "Tragwerke aus Beton, Stahlbeton und Spannbeton") and according to accepted practice for carrying-out such work as described in the norms.
- C25/30 is, in general, an acceptable quality for concrete

Position of the device within the area of movement

Area of movement: 4460 mm x 3660 mm





All dimensions in mm

Required surface material: see Technical Data Sheet

| | | |
|--|--|----------------------|
| <p>Erstellt von playfit® RZ</p> | <p>Prüfung und Freigabe: Datum, Name</p> | <p>Version: 1/EN</p> |
|--|--|----------------------|

| | | |
|--|---|---------------------------|
|  outdoor-fitness | Technical Data Sheet Gerätedatenblatt JS-0234D Twister Rückentrainer | Date/Stand: 11.12.2023 |
|--|---|---------------------------|

| | |
|---|--|
| Model Twister |  |
| Model No. | JS-0234D |
| Equipment dimensions <ul style="list-style-type: none"> ▪ Base area (Length x Width) ▪ Total height ▪ Height above ground surface | 1460 mm x 652 mm 1712 mm 1212 mm |
| Training space Length x Width x Height | 3090 mm x 2000 mm x 2383 mm |
| Free height of fall | Seat height = 589 mm |
| Movement space Length x Width x Height | 4460 mm x 3660 mm x 2383 mm |
| Required surface material The required surface material only needs to adequately cover the area directly above the foundations and not the entire surface area of the movement space to avoid the foundations becoming exposed and possible injuries resulting from this. | Concrete/Stone, Bitumen-bonded surfaces or synthetic impact attenuating materials <i>(construction-conditioned no topsoil, lawn or loose bulk materials)</i> |
| Weight of apparatus (± 2 kg) | 41.5 kg |
| Weight of heaviest component (± 1 kg) | Lower support (Part No. 9): 10 kg |
| Dimensions of largest component | Middle support tube (Part No. 1): 652 mm x 252 mm x 1176 mm |
| Components most susceptible to wear & tear | 1 Pcs. Protective cap for support tube (Part No. 3) 16 Pcs. Protective cap for screw (Part No. 4) 16 Pcs. Base of protective cap for screw (Part No. 8) 2 Pcs. Ball bearing 6205-2RSH (Part No. 16) 2 Pcs. Ball bearing 7205-B-2RS-TVP (Part No. 21) 2 Pcs. Stopper (Part No. 22) |
| Specifications of foundation <ul style="list-style-type: none"> ▪ Number required ▪ Base area ▪ Total depth ▪ Depth of apparatus in foundation | 3 per Model 350 mm x 500 mm 600 mm 300 mm |

| | | |
|--|--------------------------------------|---------------|
| Erstellt von  RZ | Prüfung und Freigabe: Datum, Name | Version: 1/EN |
|--|--------------------------------------|---------------|